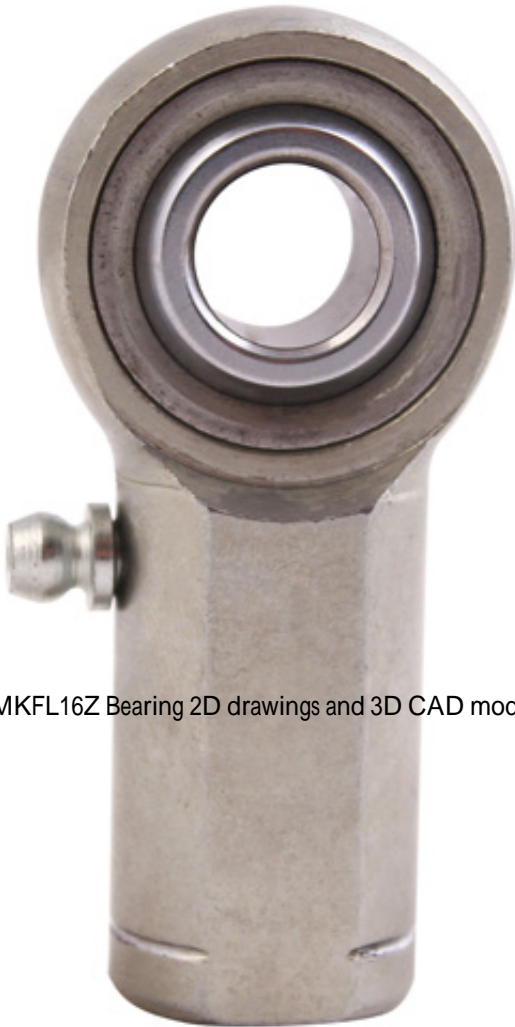




LLC NTN-SNR BEARINGS RUS

QA1 Precision Products MKFL16Z Bearings Spherical Rod Ends

Bearing No. MKFL16Z



MKFL16Z Bearing 2D drawings and 3D CAD models

d	16 mm
ball material:	52100 BEARING STEEL HEAT TREATED CHROME PLATE
misalignment angle:	23 °
race material:	Alloy Steel - Heat Treated
shank thread length:	33 mm
lubrication:	Unlubricated
rod end type:	Female Threaded
head diameter:	38 mm
shank thread size:	M16 x 2.0
head width:	14.25 mm
thread direction:	Left Hand
ball width:	21 mm
grade:	Precision
length to ball center:	64 mm
lubrication type:	With Lubrication Fitting
series:	MK
housing material:	Carbon Steel - corrosion resistant plating