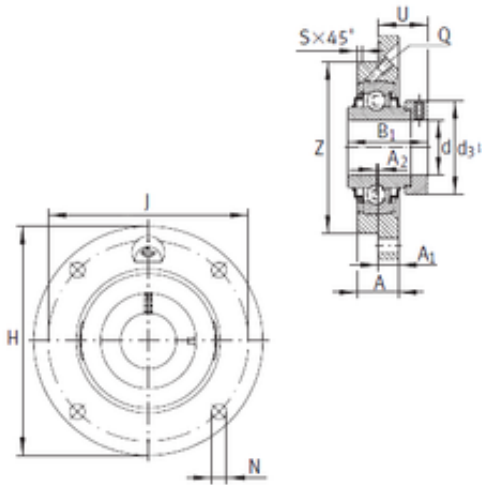




LLC NTN-SNR BEARINGS RUS

INA RME060 Flange-Mount Ball Bearing Units



Bearing No. RME060

Bore Diameter	60 mm
d	60 mm
U	47,9 mm
Thread (Q)	Rp1/8
Z	160 mm
d3	89 mm
A	36 mm
A1	22 mm
B1	68,4 mm
H	256 mm
J	212 mm
N	23 mm
S	3 mm
A2	2,5 mm
Weight	6 Kg
Basic dynamic load rating (C)	82 kN
Category	Flange Block Bearings
Inventory	0.0
Manufacturer Name	SCHAEFFLER GROUP
Minimum Buy Quantity	N/A
Weight / Kilogram	9.588
EAN	4012802067576
Product Group	M06110
Number of Mounting Holes	4
Mounting Method	Eccentric Collar
Housing Style	4 Bolt Round Flange

RME060 Bearing 2D drawings and 3D CAD models



LLC NTN-SNR BEARINGS RUS

	Cartridge
Rolling Element	Ball Bearing
Housing Material	Cast Iron
Expansion / Non-expansion	Non-expansion
Mounting Bolts	23 Millimeter
Relubricatable	Yes
Insert Part Number	GNE60KRRB
Seals	Double Land Riding Rubber Contact
Housing Configuration	1 Piece Solid
Pilot Configuration	With Pilot
Inch - Metric	Metric
Long Description	4 Bolt Round Flange Cartridge; 60MM Bore; 211MM Bolt Circle; 149.9MM Bolt Spacing; 1 Piece Solid; Eccentric Collar Mount; Cast Iron; Ball Bearing; 68.4MM Length Thru Bore; Relubricatable; Double Land
Other Features	Single Row Centering Spigot With Set Screw
Category	Flange Block
UNSPSC	31171501
Harmonized Tariff Code	8483.20.40.40
Noun	Bearing
Keyword String	Flanged
Manufacturer URL	http://www.ina.com
Manufacturer Item Number	RME060
Weight / LBS	13.23
Nominal Bolt Circle Diameter Round	8.3 Inch 211 Millimeter
Length Thru Bore	2.693 Inch 68.4 Millimeter
Bore	2.362 Inch 60 Millimeter
Cartridge Pilot Diameter	6.299 Inch 160 Millimeter



LLC NTN-SNR BEARINGS RUS

Bolt Spacing	5.9 Inch 149.9 Millimeter
Cartridge Pilot Depth	0.433 Inch 11 Millimeter