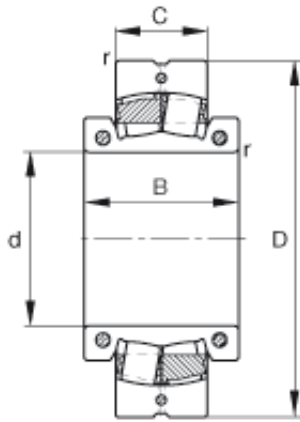




## LLC NTN-SNR BEARINGS RUS



### 10 inch x 420 mm x 170 mm FAG 230S.1000 Spherical Roller Bearings

Bearing No. 230S.1000

230S.1000 Bearing 2D drawings and 3D CAD models

|                |   |
|----------------|---|
| Size           | 254x420x106 mm  |
| Bore Diameter  | 254 mm  |
| Outer Diameter | 420 mm  |
| Width          | 106 mm  |
| d              | 254 mm  |
| d              | 10 inch   |
| D              | 420 mm  |
| C              | 106 mm  |
| B              | 170 mm  |
| $r_{\min}$     | 4 mm  |
| m              | 71,2 kg / Weight  |
| $C_r$          | 1460000 N / Dynamic load rating (radial)                                |
| e              | 0,23  |
| $Y_1$          | 2,95  |
| $Y_2$          | 4,4   |
| $C_{0r}$       | 2450000 N / Static load rating (radial)                                 |
| $Y_0$          | 2,89  |
| $n_G$          | 620 1/min / Limiting speed  |
| $C_{ur}$       | 200000 N / Fatigue limit load, radial                                   |
| $F_{a \max}$   | 32000 N / Permissible axial load, for inner ring without axial abutment |
| $M_i$          | 120 Nm / Tightening torque  |



## LLC NTN-SNR BEARINGS RUS

|              |   |
|--------------|---|
|              | per clamping screw  |
| $M_a$        | 35 Nm / Tightening torque<br>per clamping screw               |
|              | 23056K / Designation,<br>spherical roller bearing,<br>unsplit |
|              | H3056.1000  |
| SNP3056.1000 | Designation, adapter sleeve,<br>US design                     |